

STANDARD PRESSURE GAUGES ACCORDING TO DIN EN 837-1



DRUCK & TEMPERATUR

Nominal diameter 80, 100, 160

Connection brass

Connection position bottom or back

For normal demands in accuracy of indication and construction. This devices can be used in all applications where liquid or gaseous media are not highly viscous and do not attack copper alloys or crystallize.



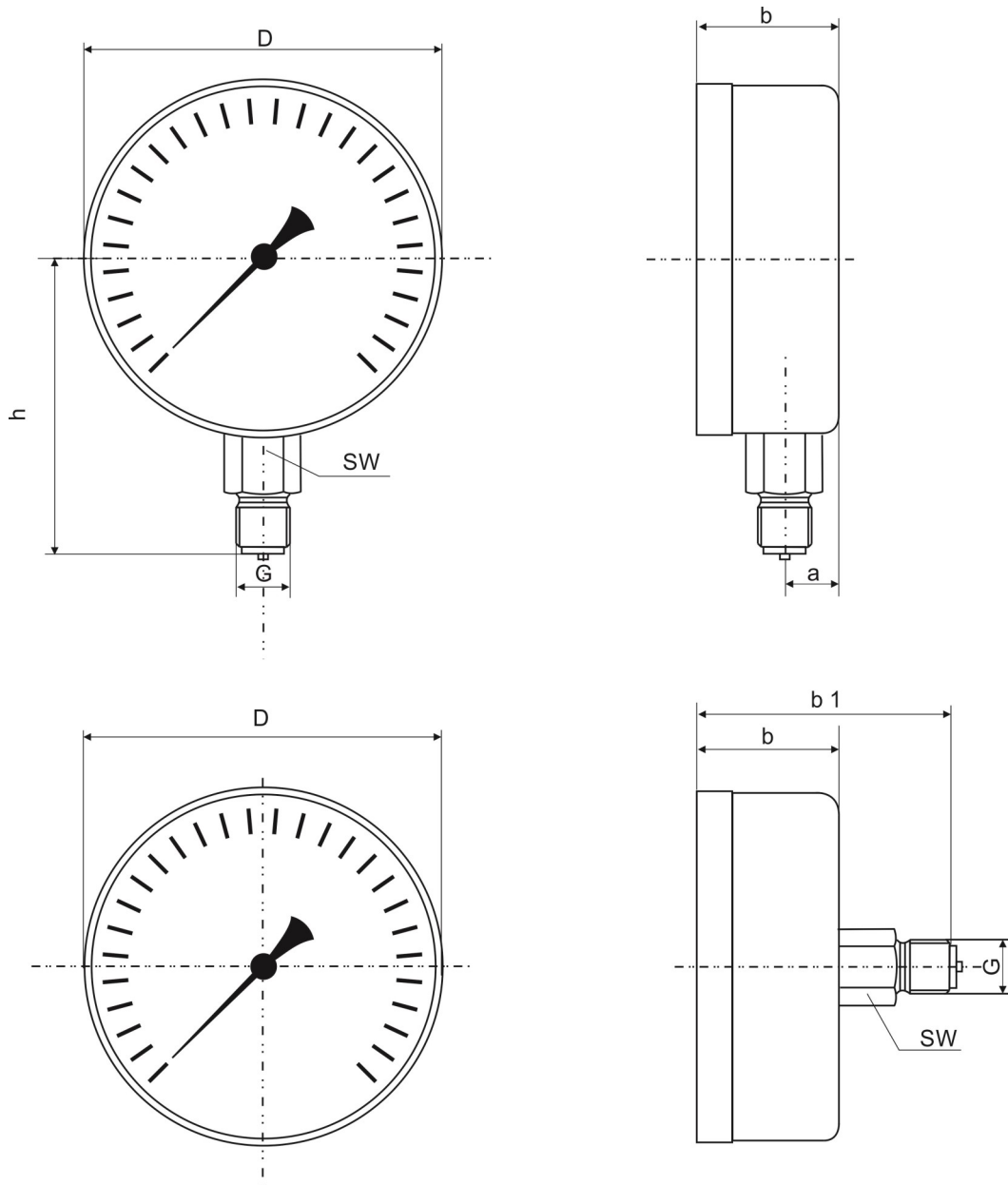
Type	4881	4421	4451	4461	4951	Options for NS 80 and NS 100
Nominal diameter	80		100		160	
Symbol						Type 4451, though cl. 1,0, 0...6 up to 0...25 bar = type 5321 (Mediumtemp. max 130°C)
Accuracy DIN EN 837-1	class 1,6				0...1 up to 0...40 bar cl.1,0 0..60 up to 0...600 bar cl.1,6	NS 80 and NS 100 cl. 1,0 + 130°C
Measuring ranges	0...4 bar up to 0...25 bar		0...0,6 bar up to 0...600 bar, positive and negative overpressure			
Applications	Constant load: 3/4 x end of scale value Alternating load: 2/3 x end of scale value short-term end of scale value			end of scale value 0,9 x end of scale value short-term: 1,3 fold		
Case	Steel black					
Ring	Slip ring, steel black, screwed					
Movement	Cu- alloy					
Connection material	CuZn-alloy					
Thread	G 1/4 B or G 1/2 B	G 1/4 B or G 1/2 B	G 1/2 B M20x1,5	G 1/4 B G 1/2 B	G 1/2 B or M20 x1,5	other on request
Connection position	radial bottom	centric back	radial bottom	centric back	radial bottom	
Window	Instrumental glass					
Movement	CuZn-alloy					
Dial	Aluminium white, scale and letters black, red mark pointer					special scale
Pointer	Aluminium black					
Temperatures	Medium: Tmax 60°C, ambient: -40°C; Tmax 60°C					BR 5321 up to 130°C
Weight approx.(kg)	0,18	0,19	0,30	0,26	1,0	

Dimensional drawing

Dimensions in mm



DRUCK & TEMPERATUR



Type	NS	D	G	a	b	b1	h	SW
4881	80	77	G 1/4 B or G 1/2 B	15	33	-	67	14/22
4421	80	77	G 1/4 B or G 1/2 B	-	31	65	-	14/22
4451	100	102	G 1/2 B or M20x1,5	18	31	-	82	22
4461	100	102	G 1/4 B or G 1/2 B	-	31	49	-	14/22
5321	100	100	G 1/2 B	18	40	-	82	22
4951	160	150	G 1/2 B or M20x1,5	18	45	-	114	17